



WARNING

Proper operation of your brakes is essential for your safety and the safety of others. Any brake service should be performed ONLY by persons experienced in the installation and proper operation of brake systems. It is the responsibility of the person installing any brake component or kit to determine the suitability of the component or kit for the particular application. After installation and before operating your vehicle, be sure to test the function of the brakes under controlled conditions.

DO NOT DRIVE WITH UNTESTED BRAKES!

FOR TECHNICAL ASSISTANCE CALL:

888-533-1199

MONDAY - FRIDAY

8:00 AM TO 5:00 PM EST

IMPORTANT

Take time to read all the literature that came with this kit. Check the provided list of parts against what you received to ensure all parts are present. While this kit was designed to make the process of changing brake parts as simple as possible. **NOTE: WITH SOME KITS IT MAY BE NECESSARY TO MAKE MINOR CHANGES TO YOUR CAR!**

READ ALL WARRANTY DISCLAIMERS AND RETURN POLICIES INCLUDED IN THIS KIT PRIOR TO INSTALLATION!

MASTER POWER BRAKES

110 CROSSLAKE PARK RD. MOORESVILLE, N.C. 28117

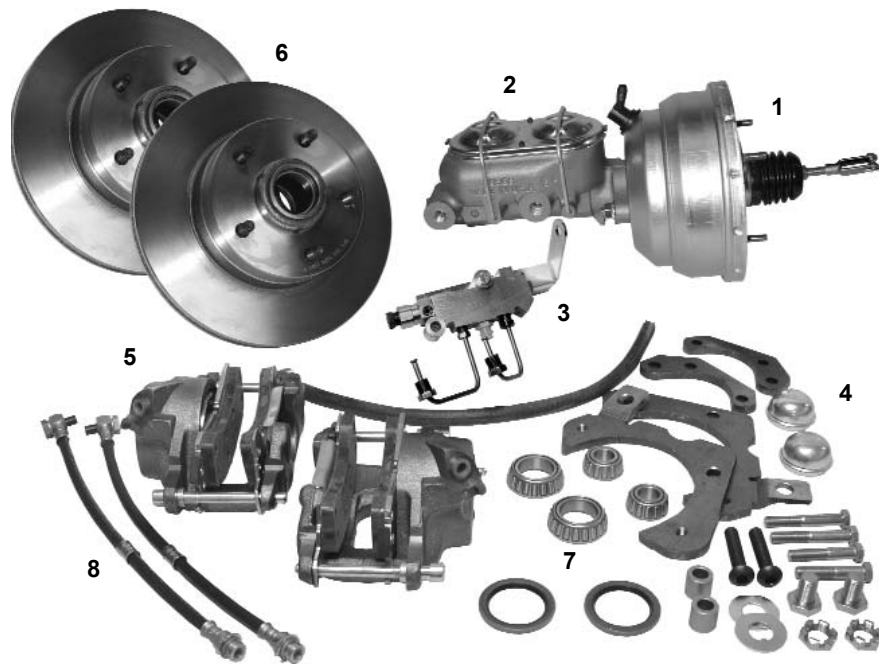
www.mpbrakes.com

INSTALLATION INSTRUCTIONS

INCLUDED COMPONENTS

Your power brake conversion kit will contain the following components:

1. Power booster with vacuum hose and intake manifold fitting.
2. Master cylinder
3. Combination valve kit
4. Caliper mounting brackets and hardware
5. Calipers with pads
6. Rotors
7. Bearings, seals and dust caps
8. Caliper hoses



INSTALLATION

Installation of the disc brake kit will require the use of the following tools:

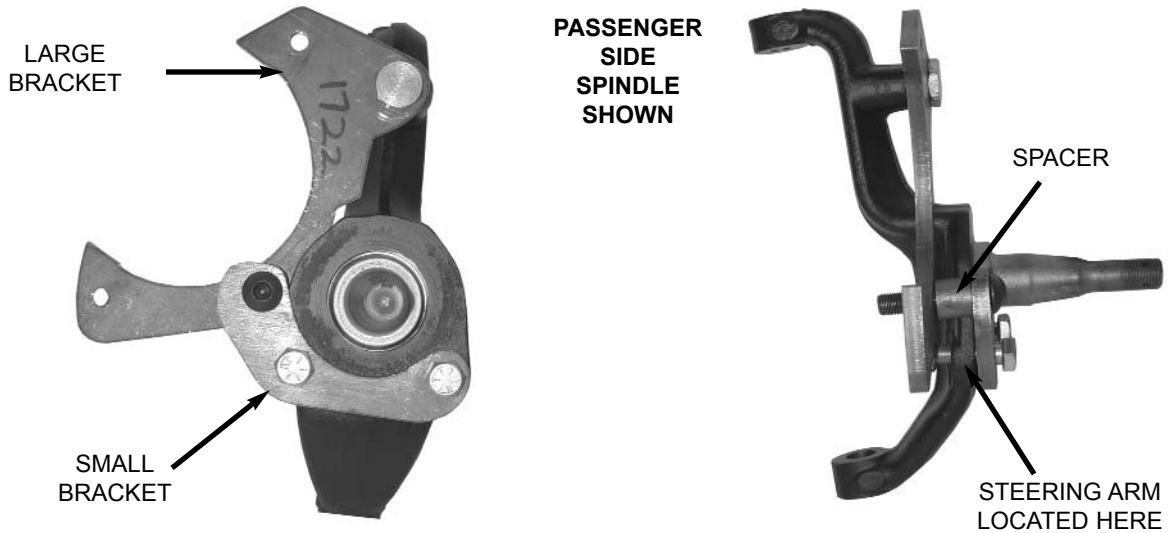
3/8" ratchet drive set
Box end wrench set
Pliers
Line flaring tool

Mallet
Ball joint fork
Screwdriver
Line bending tool

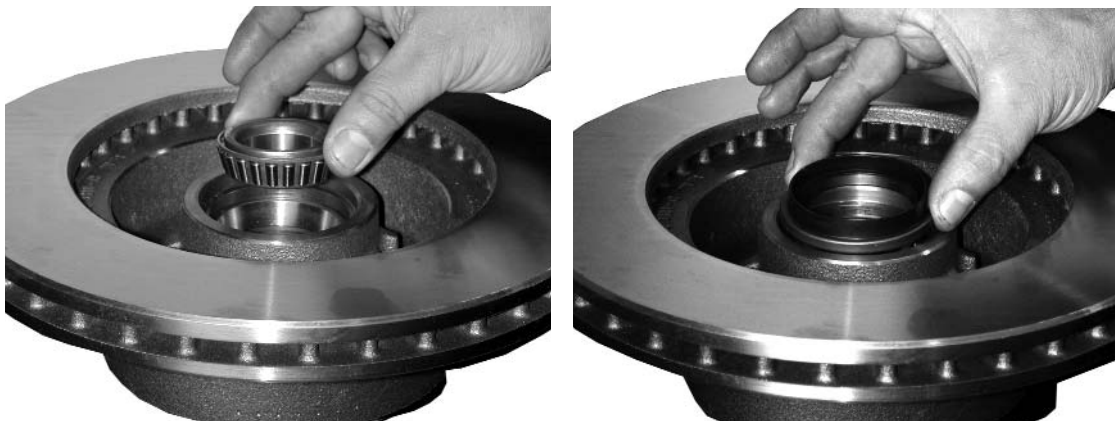
Flare wrench set
Drum brake tool
Snips

Always refer to the vehicle owners manual for the correct torque specifications when installing this kit

1. Remove the stock Chevy front drums, brakes and backing plates. Clean and inspect the spindles for cracks or damage. Be sure to thoroughly clean out the 11/16" threaded hole at the top of the spindle. This is extremely important. Use a non oil based cleaner such as Brake Clean. Clean the threads out with a bottoming tap if necessary.
2. Take the small support bracket and install it on the outer surface of the spindle in the two lower holes. Install one of the long (1/2 x 3 SAE) bolts through the support bracket, through the rear hole on the spindle and through the steering arm. Install the shorter (1/2 x 2 1/2) bolt in a similar manner through the front hole. Install the lock nuts supplied with the kit and tighten.
3. Take the larger caliper bracket and install it as follows: Install the 1/2 x 2 1/2" bolt supplied in the kit through the caliper bracket, spacer and support bracket. Install the 1/2 " locknut and just snug it up.



4. Take the 11/16" shoulder bolt and install it through the bracket into the spindle. Now tighten all the bolts and nuts.
5. Take the new rotor and inspect for any problems/damage. Install the supplied inner A6 bearing. **BE SURE TO GREASE THE BEARINGS WITH CORRECT BEARING GREASE BEFORE INSTALLATION.** Install the bearing seal into the rotor.



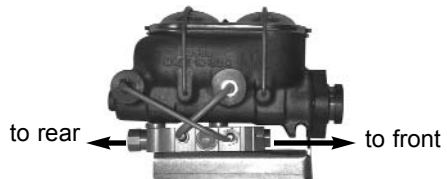


Be sure to tap the bearing seal flush into the rotor before installing onto spindle.

6. Install the rotor onto the spindle followed by the outer A2 bearing. Put the keyed bearing retaining washer followed by the spindle nut onto the spindle. Tighten the nut until there is a resistance to the rotor spinning freely and then loosen the nut slightly until the rotor spins freely.
7. Turn the rotor on the spindle and check for any interference or minimal clearance between the inside surface of the rotor and the outer mounting bracket. Trim the bracket if necessary. Check for adequate clearance on the 1/2" bolts also. Be sure to install the cotter pin onto the spindle nut to secure.
8. Install the loaded caliper onto the spindle using the supplied caliper mounting bolts. **THE CALIPER BLEEDER SCREW MUST FACE UP!**
9. Repeat the procedure for the opposite side.
10. Connect the caliper hoses to the calipers making sure that the brass mounting block of the caliper hose is sandwiched between the two copper crush washers. The order should be caliper, copper washer, brass mounting block, copper washer, hose bolt.

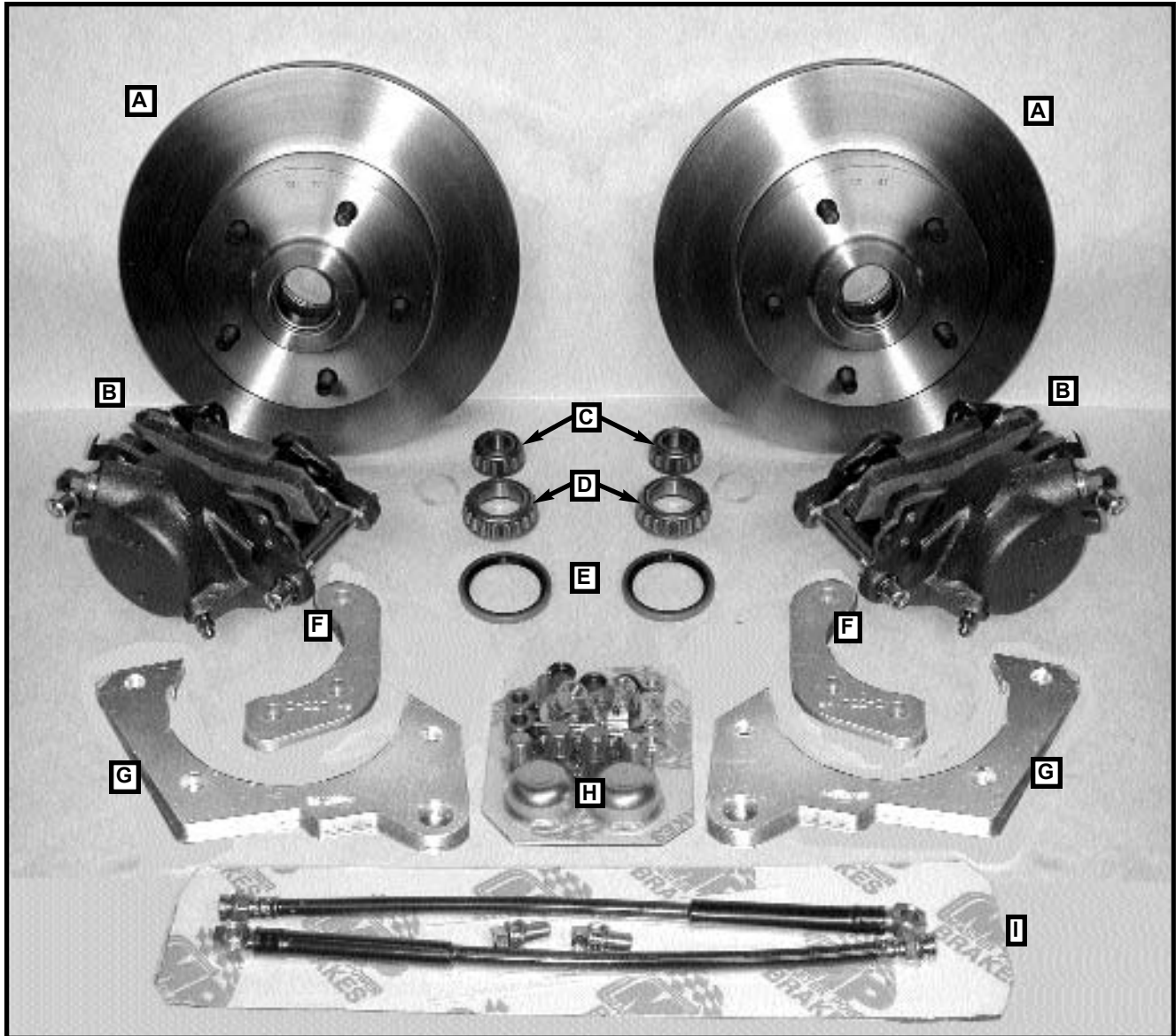
POWER BOOSTER INSTALLATION

1. Remove the old master cylinder and brake line that goes to the connector block on the chassis.
2. Install the booster onto the firewall using the supplied gasket as a template to relocate the lower holes. Open up or elongate any holes to fit the booster pattern. Connect the booster rod to the pedal in the same location using the supplied clevis and pin.
3. Bench bleed the master cylinder and mount it to the booster.
4. Obtain vacuum from the carburetor or intake manifold. An intake manifold fitting and vacuum hose are supplied. **YOU MUST HAVE AT LEAST 18" OF VACUUM TO OPERATE THE BOOSTER**
5. Tie the master cylinder into the system as per the diagram below.



6. If you are using our combination valve v13350 for disc/drum plumb as per the diagram above.

DB1722P
DISC BRAKE KIT, POWER, 65-68 CHEVY
PARTS LIST

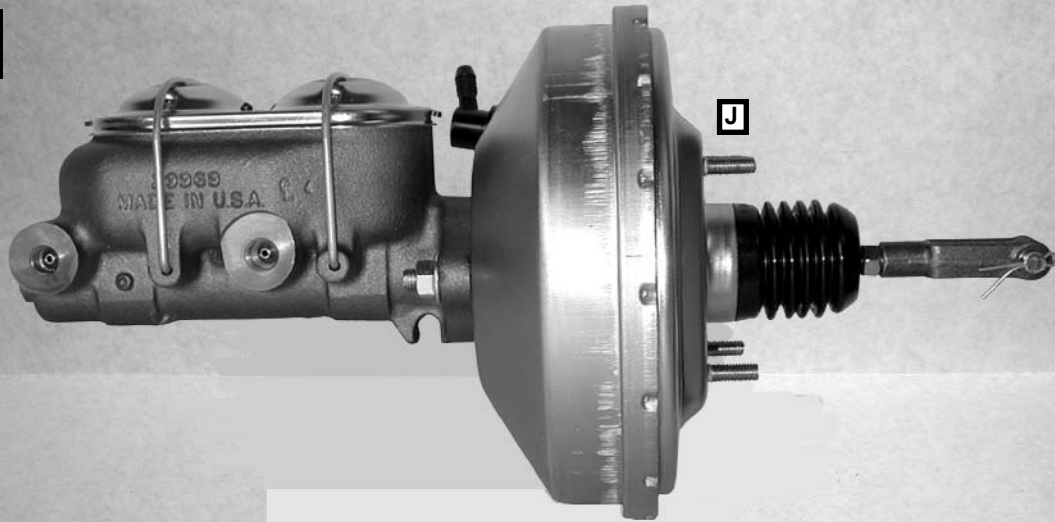


PARTS LIST

- A) (2) RT141039 ROTOR, SINGLE PISTON CALIPER, 69-72 CHEVELLE, 67-69 CAMARO, 69-74 MONTE CARLO
- B) (2) CA403940 CALIPERS, GM, LARGE, SINGLE PISTON
- C) (2) HWA2 BEARING, OUTER
- D) (2) HWA6 BEARING, INNER
- E) (2) HW7934 SEAL, ROTOR
- F) (2) BR1722-1 LARGE BRACKET, CALIPER, 65CHEVY
- G) (2) BRCA1722-2 SMALL BRACKET, CALIPER, 65 CHEVY
- H) (1) HW1722HK HARDWARE KIT
 - (2) 12R100PCOZ PIN, COTTER, 1/8 X 1 ZINC
 - (2) 15R150PCOZ PIN, COTTER, 5/32 X 1 1/2 ZINC
 - (4) 50F250KBC BOLT, 1/2-20 X 2 1/2 BUT SOC CAP SCREW
 - (2) 50F300KBC BOLT, 1/2-20 X 3 BUTTON CAP SCREW
 - (6) 50FNNEZ NUT, 1/2-20, NYLOCK ZINC
 - (2) BU1711 SPACER, CALIPER BKTS
 - (2) HW1116 SHOULDER BOLT, 11/16 X 1
 - (2) HW1702 BOLTS, CALIPER BRACKET
 - (2) HW4001 CAPS, DUST, 45.2MM /1 25/
 - (2) HW615005 WASHER, SPINDLE ORG. GM
 - (2) HW615065M SPINDLE NUT, GM, MODIFIED, MACHINED
- I) (1) HS88520K HOSE KIT, FRONT, 69-77, 16" GM, SINGLE PISTON CALIPER
 - (2) HS88520 HOSE, F, 69-71 CAMARO
 - (2) HW21082 BOLT, HOSE 7/16 X 20 SHORT
 - (4) HW4390 COPPER SEALING WASHER USED W/ 4039 & 4040 CALIPER

CONTINUED
ON PAGE 2

DB1722P
CONTINUED



PARTS LIST (CONT.)

- J) (1) BM1723 BOOSTER/MC, 9", 65-70 CHEVY DRUM / DRUM (SEE BM1723 PARTS LIST)
K) (1) VL3360K VALVE KIT, W/ FITTINGS
 (1) 25C175HCS5Z 1/4 X .175 BOLT
 (1) 25CNNEZ 1/4 COURSE NYLOCK NUT
 (1) BR1261N BRACKET, VALVE, UNIVERSAL
 (2) HW105-3 NUT, 3/16 TUBE 3/8-24 THD
 (1) HW106-3 PLUG, 3/16"
 (2) HW106-4 PLUG, INVERTED STEEL 1/4" O.D.
 (1) HW115-37 NUT, 3/16 TUBE 7/16-24 THD RED
 (1) HW115-38 NUT, 3/16 TUBE 1/2-20 THD BLACK
 (1) HW115-39 NUT, 3/16 TUBE 9/16-18 THD OLIVE
 (1) HW1709 PLUG, SWITCH, COMBO VALVE
 (1) HW210-43 ADAPTOR, BRASS 7/16-3/8M
 (2) HW300-3 COUPLER 3/16
 (2) HW300-4 COUPLER 1/4
 (2) HW300-5 COUPLER 1/2
 (1) HW3359 PLUG, COMBO VALVE, 4 WHEEL DISC
 (1) HW702-3 T-FITTING 3/16 X 3/16 X 3/16
 (1) VL3350 VALVE, COMBO, DISC / DRUM

MASTER POWER BRAKES 888-533-1199