



## WARNING

Proper operation of your brakes is essential for your safety and the safety of others. Any brake service should be performed ONLY by persons experienced in the installation and proper operation of brake systems. It is the responsibility of the person installing any brake component or kit to determine the suitability of the component or kit for the particular application. After installation and before operating your vehicle, be sure to test the function of the brakes under controlled conditions.

**DO NOT DRIVE WITH UNTESTED BRAKES!**

**FOR TECHNICAL ASSISTANCE CALL:**

**888-533-1199**

**MONDAY - FRIDAY**

**8:00 AM TO 5:00 PM EST**

## IMPORTANT

Take time to read all the literature that came with this kit. Check the provided list of parts against what you received to ensure all parts are present. While this kit was designed to make the process of changing brake parts as simple as possible. **NOTE: WITH SOME KITS IT MAY BE NECESSARY TO MAKE MINOR CHANGES TO YOUR CAR!**

**READ ALL WARRANTY DISCLAIMERS AND RETURN POLICIES INCLUDED IN THIS KIT PRIOR TO INSTALLATION!**

**MASTER POWER BRAKES**

**110 CROSSLAKE PARK RD. MOORESVILLE, N.C. 28117**

**[www.mpbrakes.com](http://www.mpbrakes.com)**

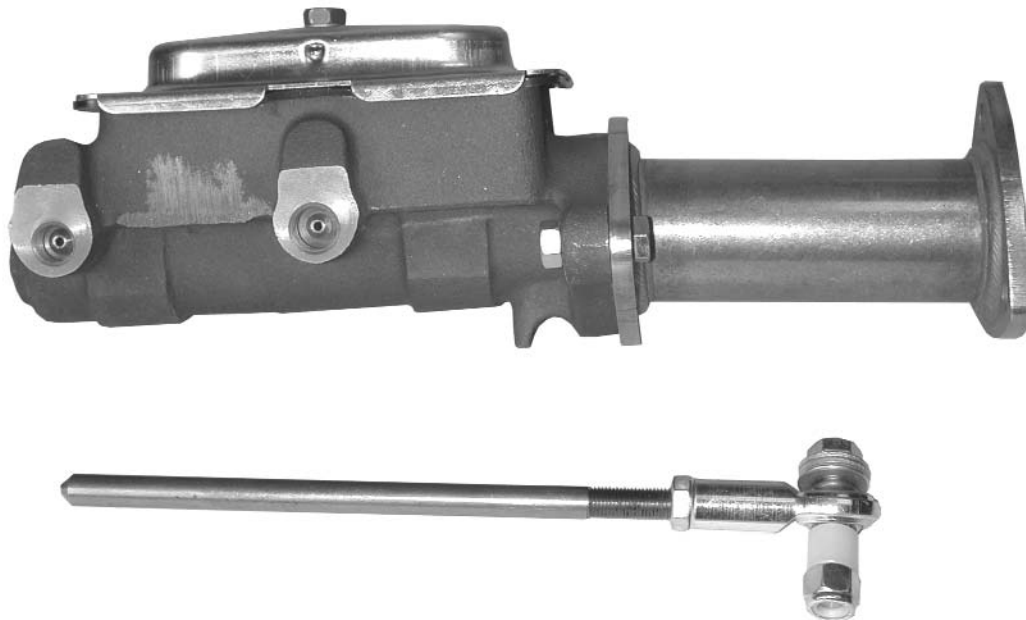


# **MC1781K**

## **1953-1962 CORVETTE DUAL MASTER CYLINDER CONVERSION**

IT'S MORE THAN BRAKES...IT'S CONFIDENCE!

### **INSTALLATION INSTRUCTIONS**



# **MASTER POWER BRAKES**

110 CROSSLAKE PARK RD MOORESVILLE N.C. 28117

[www.mpbrakes.com](http://www.mpbrakes.com) 704-664-8866



REVISED 121002

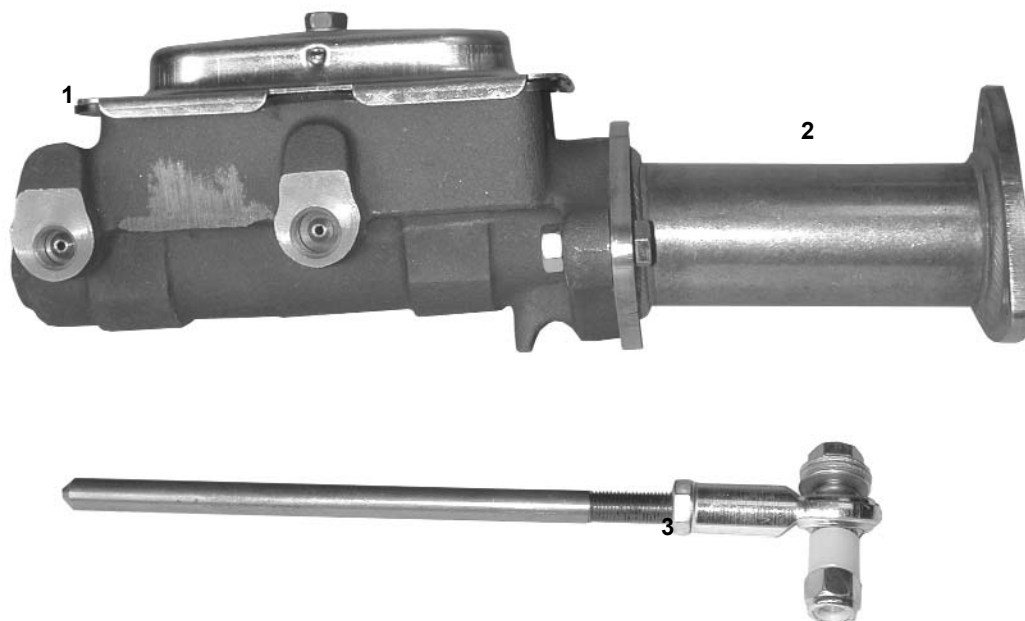
## INSTALLATION INSTRUCTIONS

**NOTE: Will not fit 53-54 Corvette with original engine or 57-62 with stock fuel injection.**

### INCLUDED COMPONENTS

Your dual master conversion kit will contain the following components:

1. Low profile master
2. Master cylinder adaptor
3. Adjustable push rod with pedal attachment



### INSTALLATION

1. Remove the clevis pin on the original brake pedal push rod by removing the cotter pin and the clevis. Retain the clevis pin, return spring and return spring bracket.
2. Unscrew the hydraulic line from the master cylinder.
3. Unbolt the three attaching nuts from the master cylinder mounting using a 9/16 socket. Save the nuts.
4. Remove the master cylinder from the firewall.
5. Slide the new master cylinder adaptor onto the three bolts on the firewall and install the locknuts and washers. Tighten securely.
6. Mount the new master cylinder onto the adaptor with the included hardware.
7. From inside the car insert the master cylinder push rod with the rod end on the left side of the pedal. Make sure the supplied bushing is in place in the pedal. Install the 3/8" bolt and washer as in diagram.
8. Check the clearance of the push rod to the master cylinder piston. There should be 1/8" clearance. Adjust the rod to the correct length and tighten the jam nut.
9. Install the return spring.
10. Fill the master and bleed the system. Use only correct brake line and double flared ends.
11. Try the pedal before moving the car.

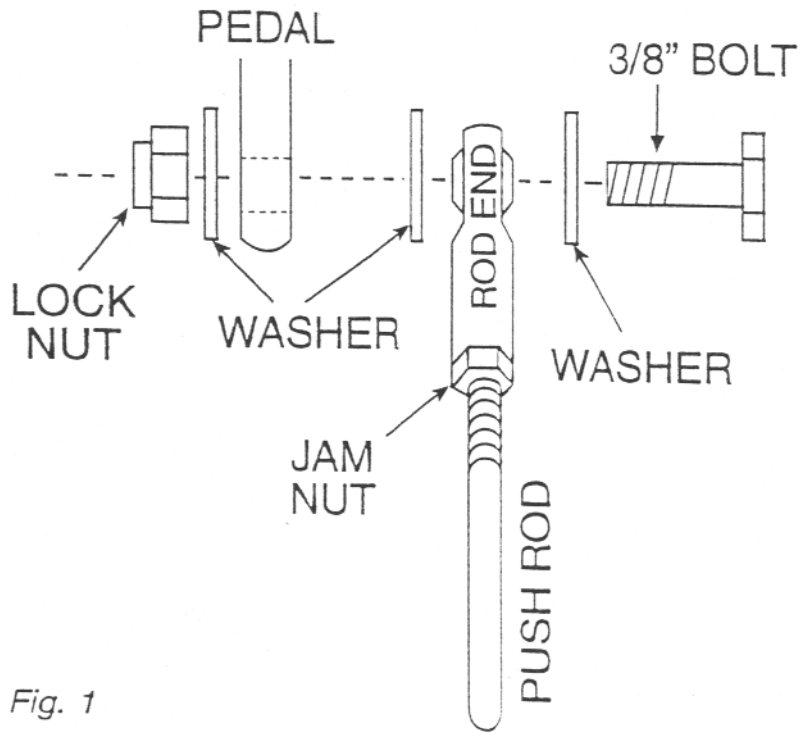


Fig. 1