



WARNING

Proper operation of your brakes is essential for your safety and the safety of others. Any brake service should be performed ONLY by persons experienced in the installation and proper operation of brake systems. It is the responsibility of the person installing any brake component or kit to determine the suitability of the component or kit for the particular application. After installation and before operating your vehicle, be sure to test the function of the brakes under controlled conditions.

DO NOT DRIVE WITH UNTESTED BRAKES!

FOR TECHNICAL ASSISTANCE CALL:

888-533-1199

MONDAY - FRIDAY

8:00 AM TO 5:00 PM EST

IMPORTANT

Take time to read all the literature that came with this kit. Check the provided list of parts against what you received to ensure all parts are present. While this kit was designed to make the process of changing brake parts as simple as possible. **NOTE: WITH SOME KITS IT MAY BE NECESSARY TO MAKE MINOR CHANGES TO YOUR CAR!**

READ ALL WARRANTY DISCLAIMERS AND RETURN POLICIES INCLUDED IN THIS KIT PRIOR TO INSTALLATION!

MASTER POWER BRAKES

110 CROSSLAKE PARK RD. MOORESVILLE, N.C. 28117

www.mpbrakes.com

DB1523M & DB1523MHP

Installation Instructions

WARNING:

Installation of any component or kit should only be performed by persons experienced in the installation and proper operation of disc brake systems. It is also the responsibility of the person installing any brake component or kit to determine the suitability of the component or kit for that particular application.

NOTE:

Before operating the vehicle after installation test the function of the brakes under controlled conditions. Make several stops in a safe area from low speed and gradually work up to normal speeds. **DO NOT DRIVE WITH UNTESTED BRAKES!** Always utilize safety restraints when operating the vehicle.

STEP 1:

1. Check to be sure that your kit has all the necessary parts needed to complete this project! (Use the supplied parts list as a check list.)

STEP 2:

Remove the following components from you car:

Tech tip: Prior to disassembly spray the nuts and bolts that will be removed with a penetrant.

1. If you are performing the installation with a jack, be sure that the parking brake is set and that the rear wheels are chocked. Support the front of the vehicle with jack stands. Never work on sloping ground.
2. If you are using a lift, raise the vehicle to a comfortable working height.
3. Remove the front tires.
4. Next, disconnect the drum brake hoses from the hard line using the appropriate flare wrenches.
5. Now remove all the drum brake components, including backing plates, from the spindles.
6. At this point, clean and inspect spindles, ball joints and tie rod ends for excessive wear or damage, replace at this time if necessary, in preparation for assembly.

STEP 3:

Things to prepare before assembly of the new disc brake kit:

Note: Assembly pictures are shown with the high performance rotors!

1. Grease the bearings. (Use a high quality disc brake bearing grease.)
2. Install the greased inner bearing and the rotor seal onto the rotor. **Note:** The supplied rotors come with races, so you can disregard the races that are with the bearings.
3. Clean the rotors using brake cleaner first, then with soap and water. Dry with a clean towel.



STEP 4:

Installation of disc brake components:

1. Starting with a clean spindle, install the supplied caliper brackets to the front of the spindle. The two threaded holes should mount inward and toward the front of the car (As shown in Figure 2).

Note: If you assemble the rotor onto the spindle and the rotor drags slightly on the cast bracket, then remove the rotor, barely loosen the 4 bolts, that hold the bracket on, and then tap the bracket toward the rear of the car with a rubber mallet. This should help to align any problems due to inconsistencies in spindles!

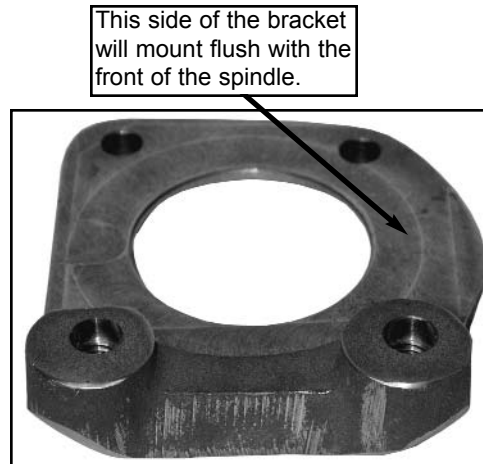


Figure 1

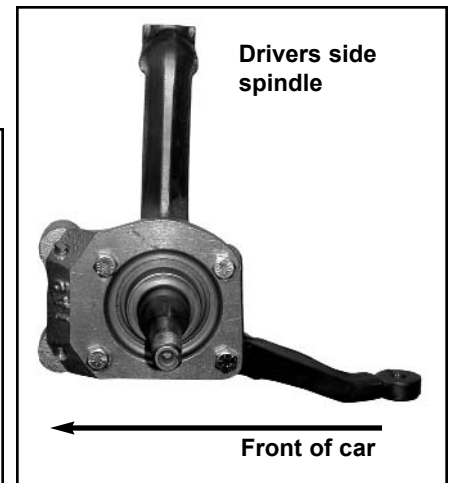


Figure 2

2. Slide the rotor onto the spindle (with the greased inner bearing and the rotor seal already installed) followed by the greased outer bearing (As shown in Figure 3), the keyed washer and the spindle nut (As shown in Figure 4). Tighten the spindle nut until rotor moves freely but is not loose. Then install the spindle nut retainer and the cotter pin to secure.

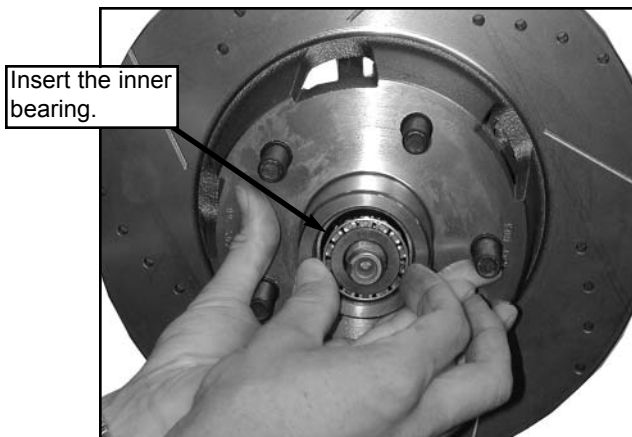


Figure 3

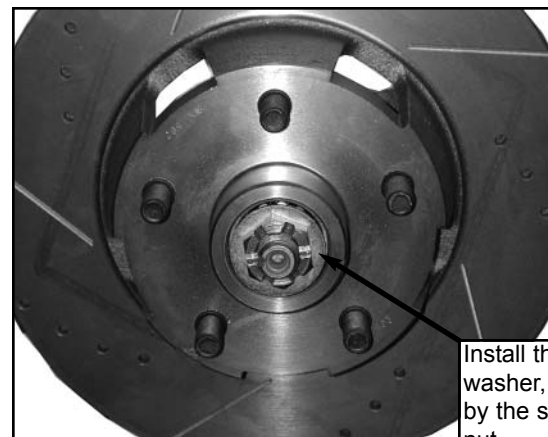
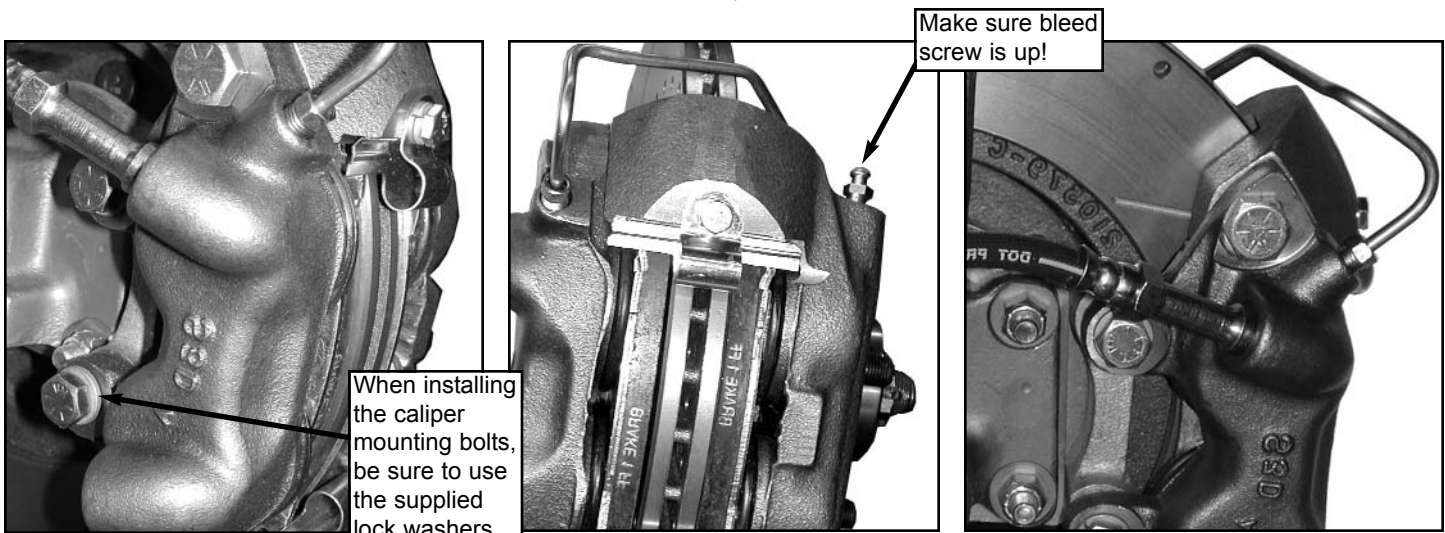


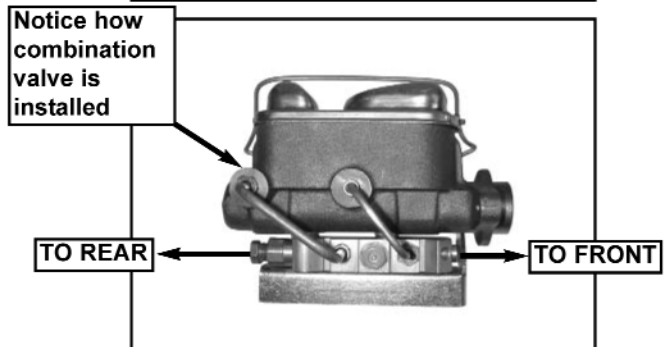
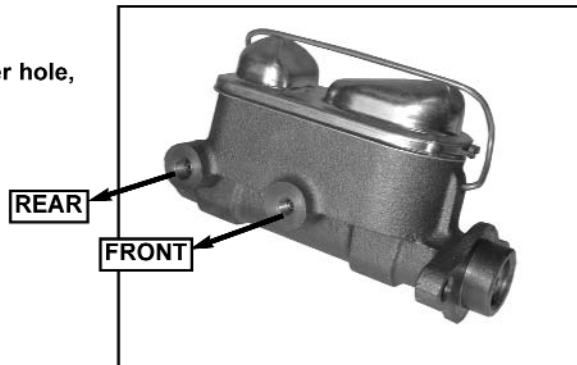
Figure 4

3. Now mount the caliper to the caliper bracket by sliding it over the rotor. **Be sure that the calipers are mounted toward the front of the car and that the bleeder screw is facing up!** Connect the rubber brake hose to the caliper and then to the brake system. (Repeat this process on the other side) Now bleed the entire system to remove all the air!

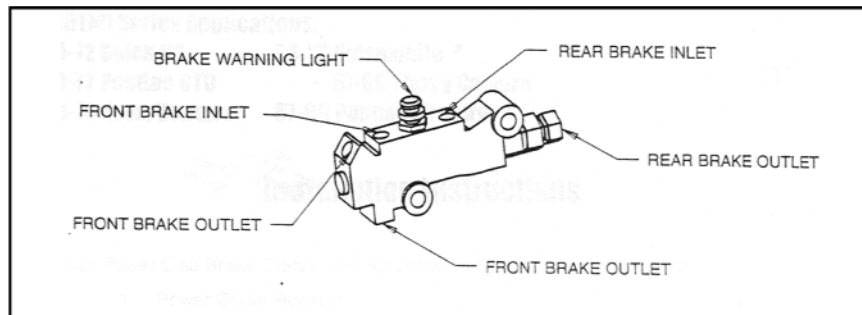


MANUAL MASTER INSTALLATION:

1. Disconnect the master cylinder push rod from the brake pedal.
2. Remove the old master cylinder.
3. Using the two holes which line up with the larger hole, install the new master.
4. Attach the master cylinder push rod to the pedal with the supplied clevis attachment.
5. Place the proportioning valve bracket onto one of the nuts that holds the master and tighten.
6. Mount the valve to the bracket.
7. Run the two supplied pre-bent lines from the master to the valve.
8. Run hard line from the valve to the front and rear part of the braking system as per the valve diagram.

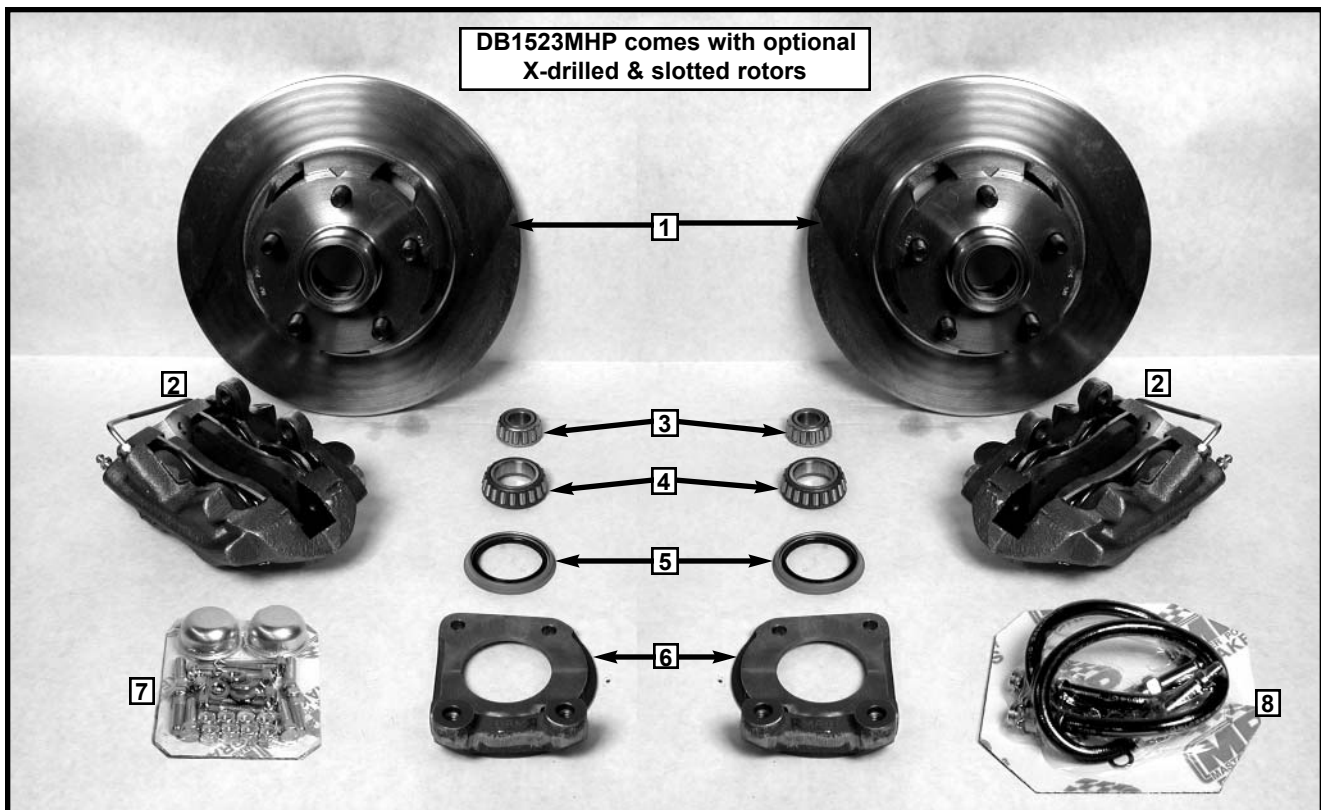


NOTE: When running lines to the front, you can plug one of the outlets on the valve (to front) and splice the one brake line to front calipers. You do not need to run two separate lines to the combination valve.



DB1523M & DB1523MHP

67 Mustang Disc Kit Parts List



Parts included in the box:

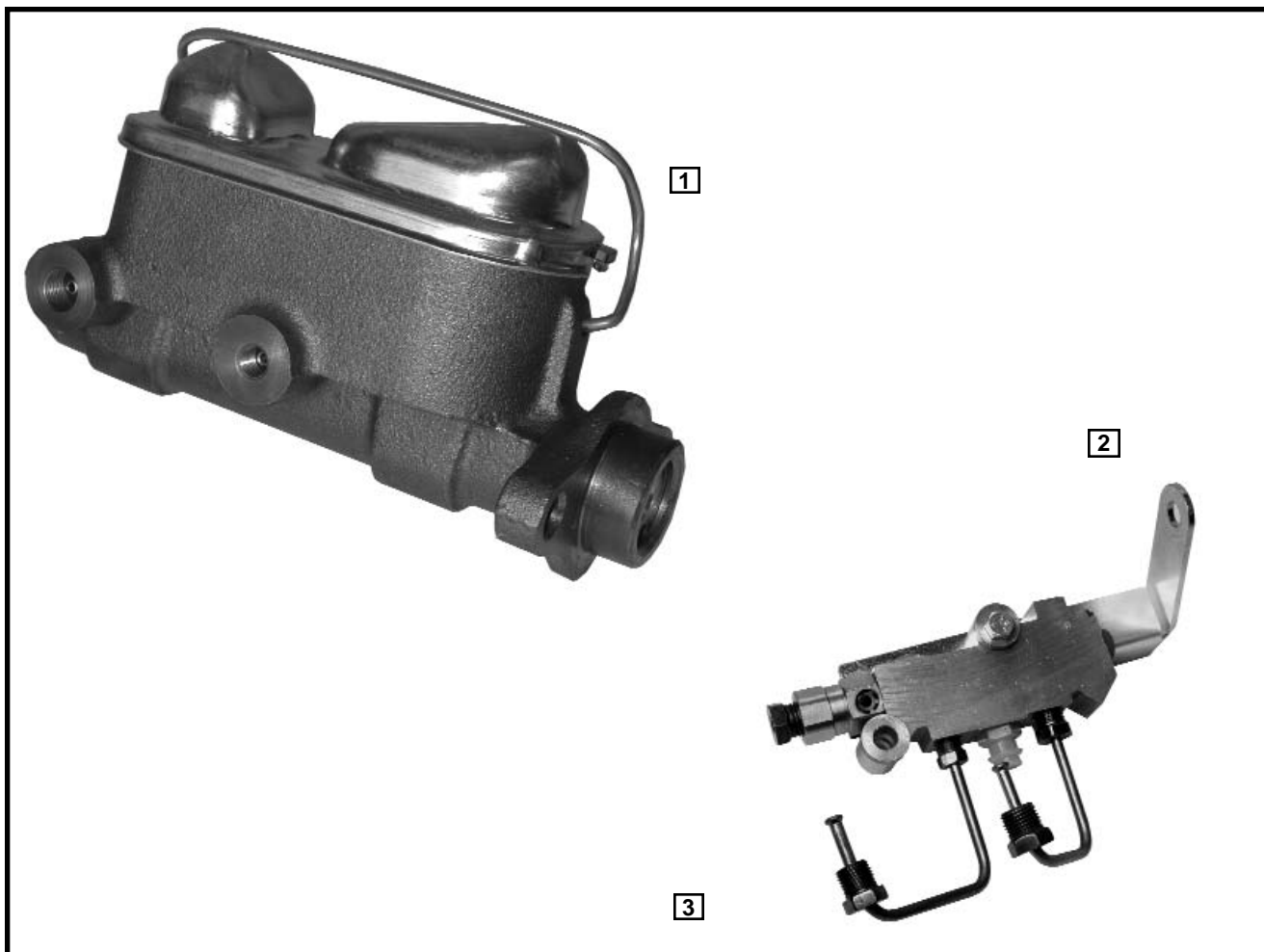
1. (2) Rotors
2. (2) Calipers
3. (2) Outer bearings
4. (2) Inner bearings
5. (2) Bearing seals
6. (2) Caliper brackets
7. (1) Disc brake hardware kit
8. (1) Hose kit
9. (1) Set of instructions (Not shown)

Master Power Brakes
888-533-1199

MC11378M, LN11378 and VL3360K

Master Cylinder, Line Kit and Valve Kit

Parts List



Parts included in the box:

1. (1) Master cylinder
2. (1) Combination valve kit
3. (1) Line kit

Master Power Brakes
888-533-1199