



WARNING

Proper operation of your brakes is essential for your safety and the safety of others. Any brake service should be performed ONLY by persons experienced in the installation and proper operation of brake systems. It is the responsibility of the person installing any brake component or kit to determine the suitability of the component or kit for the particular application. After installation and before operating your vehicle, be sure to test the function of the brakes under controlled conditions.

DO NOT DRIVE WITH UNTESTED BRAKES!

FOR TECHNICAL ASSISTANCE CALL:

888-533-1199

MONDAY - FRIDAY

8:00 AM TO 5:00 PM EST

IMPORTANT

Take time to read all the literature that came with this kit. Check the provided list of parts against what you received to ensure all parts are present. While this kit was designed to make the process of changing brake parts as simple as possible. **NOTE: WITH SOME KITS IT MAY BE NECESSARY TO MAKE MINOR CHANGES TO YOUR CAR!**

READ ALL WARRANTY DISCLAIMERS AND RETURN POLICIES INCLUDED IN THIS KIT PRIOR TO INSTALLATION!

MASTER POWER BRAKES

110 CROSSLAKE PARK RD. MOORESVILLE, N.C. 28117

www.mpbrakes.com



**DB1502B 37-48 FORD / MERC. PASS.
DB1541B 37-47 FORD TRUCK
DB1543B 48-56 FORD TRUCK**

INSTALLATION INSTRUCTIONS



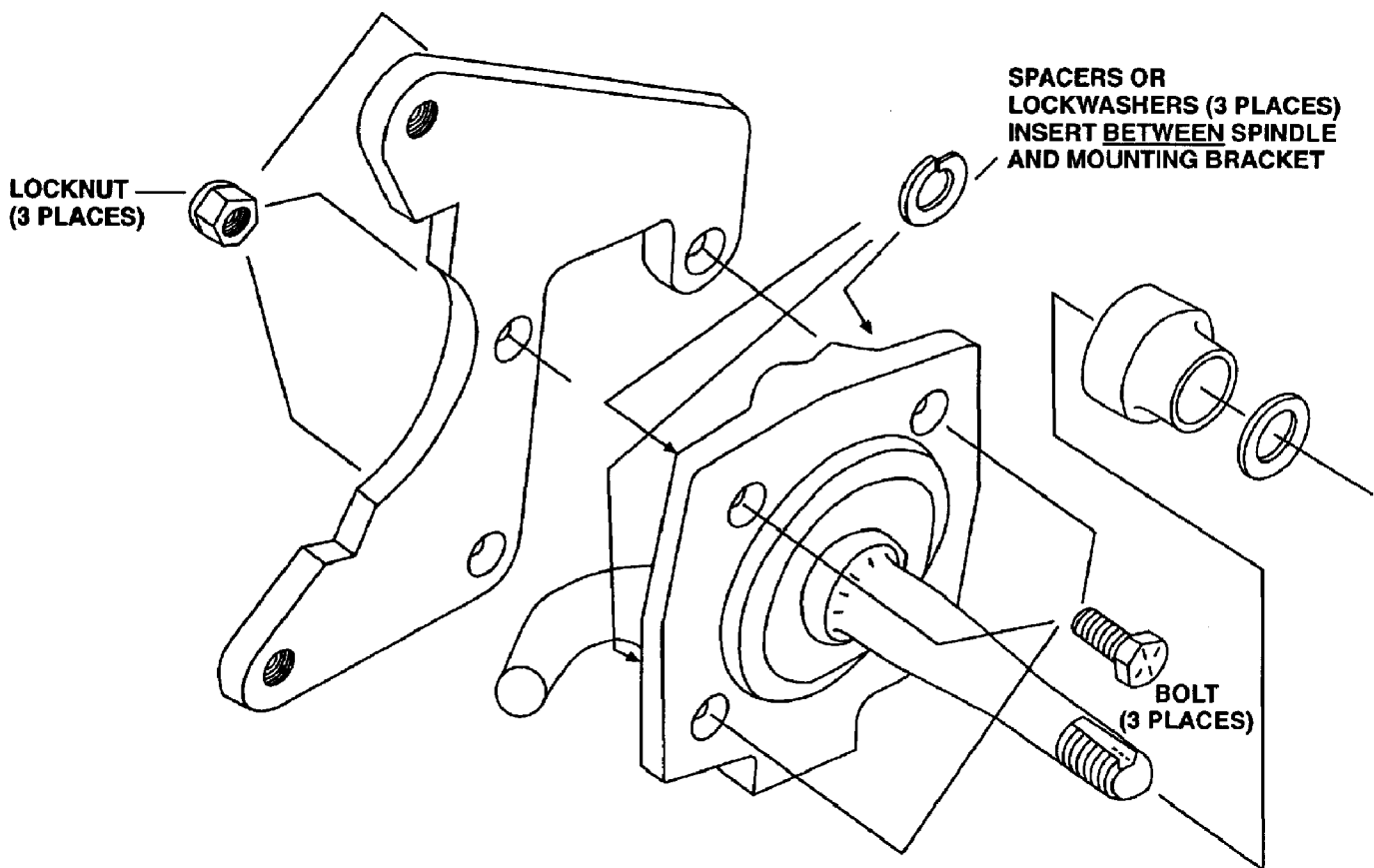
INSTALLATION:

1. Remove early Ford drums, brakes and backing plates from spindles. Make sure you retain the bearing nut and keyed washer.
2. Thoroughly clean grease and dirt from spindle. Check for cracks or damage surfaces.
3. Using the hardware supplied in the kit, install the caliper mounting bracket on the REAR surface of the spindle using spacers between the spindle and mounting bracket. **DO NOT** omit the spacers as they are essential to proper alignment of the bracket. If round spindles are being used check for adequate clearance between the spindle and bracket. FILE BRACKET if necessary. The bracket may be installed so caliper is forward or rearward of spindle centerline. **REARWARD INSTALLATION IS HIGHLY RECOMMENDED.**
4. Check for adequate steering travel. If bracket hits king pin lockbolt, reverse lock bolt or trim as required.
5. Examine the inner wheel bearing seating area on the spindle for nicks, etc. Emery cloth area as required for smooth surface.
6. Slide bearing adapter on spindle and drive into place using a hammer and a piece of tubing or pipe suitable dimensions (1 1/2" pipe works great.) **DO NOT DAMAGE THE ADAPTER WHILE INSTALLING** (use a rag for padding between toll and adapter). Drive adapter on until it seats firmly against spindle inner bearing shoulder.

NOTE: Adapter's are machined to a +.0005" tolerance. If bearing does not slide onto adapter easily it may be due to tolerance "stack up." This can be rectified by a small amount of fine emery paper work on the bearing seating surface of the adapter.

7. Install fit inner wheel bearing for trial fit.
8. Grease inner and outer bearings with high temperature wheel bearing grease, install rear bearing and grease seal.
9. Install the outer wheel bearing followed by the stock Ford keyed washer and retaining nut. Adjust bearings as required and install cotter key and bearing grease cap.
10. Install caliper on mounting bracket with bleeder FACING UP using stock GM mounting bolts.
11. Fill the brake system with DOT 4 fluid, bleed and inspect for leaks.

NOTE: Disc brakes require a combination valve.



MASTER POWER BRAKES 888-533-1199

Revised 5/17/04

DB1502B
DISC KIT, LOWER, 37-48 FORD
PARTS LIST



PARTS LIST

- A) (2) RT141145 ROTOR, 73-89 CHRYSLER
- B) (2) CA403940 CALIPERS, GM, LARGE, SINGLE PISTON
- C) (1) BR3737K BRACKETS, HOSE CLIPS 1 PAIR
 - (2) BR3737 BRACKET, HOSE
 - (2) HW8708 BRAKE HOSE CLIP
- D) (2) HW4001 CAPS, DUST, 45.2MM/1 25/ RT141039
- E) (2) HWA13 BEARING, INNER
- F) (2) HWA2 BEARING, OUTER
- G) (2) HW9406S SEAL, ROTOR, GM
- H) (1) HS88520K HOSE KIT, FRONT, 69-77, 16 GM, SINGLE PISTON CALIPER SET
 - (2) HS88520 HOSE, F, 69-71 CAMARO
 - (2) HW21082 BOLT, HOSE 7/16 X 20 SHORT
 - (4) HW4390 COPPER SEALING WASHER USED W/ 4039 & 4040 CALIPER
- I) (1) BRECI709 BRACKET KIT, 37-48 FORD

MASTER POWER BRAKES 888-533-1199