

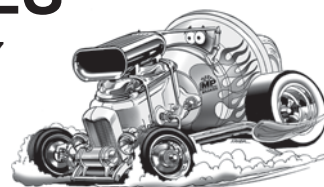


MASTER POWER BRAKES

110 Crosslake Park Drive, Mooresville, NC 28117

Website: www.mpbrakes.com

Technical Support: 888-533-1199



WARNING

Disc brake conversions require disc brake wheels. Drum brake wheels will not clear the disc brake calipers.

Minimum specifications for a disc brake wheel:

1. Correct bolt circle
2. Large center hole to clear the rotor hub center
3. 15"X 7"
4. 3 3/4" backspace
5. Wheel drop center (spokes) that clear caliper

CUSTOMER IS RESPONSIBLE FOR PROPER WHEEL FITMENT

Proper operation of your brakes is essential for your safety and the safety of others. Any brake service should be performed **ONLY** by persons experienced in the installation and proper operation of brake systems. It is the responsibility of the person installing the component or kit for the particular application. After installation and before operating your vehicle, be sure to test the function of the brakes under controlled conditions.

//////////////////// **DO NOT DRIVE WITH UNTESTED BRAKES!** //////////////////////
FOR TECHNICAL ASSISTANCE CALL:

888-533-1199

MONDAY - FRIDAY

8:00 A.M. TO 5:00 P.M. E.S.T.

CHECK ORDER IMMEDIATELY WARRANTY INFORMATION

Take time to read all the literature that came with this kit. Check the provided list of parts against what you received to ensure all parts are present. While this kit was designed to make the process of changing brake parts as simple as possible, **with some kits it may be necessary to make minor changes to your car.**

Read all warranty disclaimers and return policies included in this kit prior to installation.

You have: **5 days** to declare shipping damages
 30 days to declare missing or incorrect parts
 90 days for exchanges or returns (RA req'd)
 1 year before product warranty expires.

No exceptions allowed.

**WARRANTY: Void if
silicone fluid is used in
system**

Thank you for your business!



MASTER POWER BRAKES

110 Crosslake Park Road, Mooresville, NC 28117

Website: www.mpbrakes.com Technical Support: 888-533-1199

© 2006 MP Brakes. All rights reserved. Master Power® is a registered trademark of Master Power Brakes, LLC

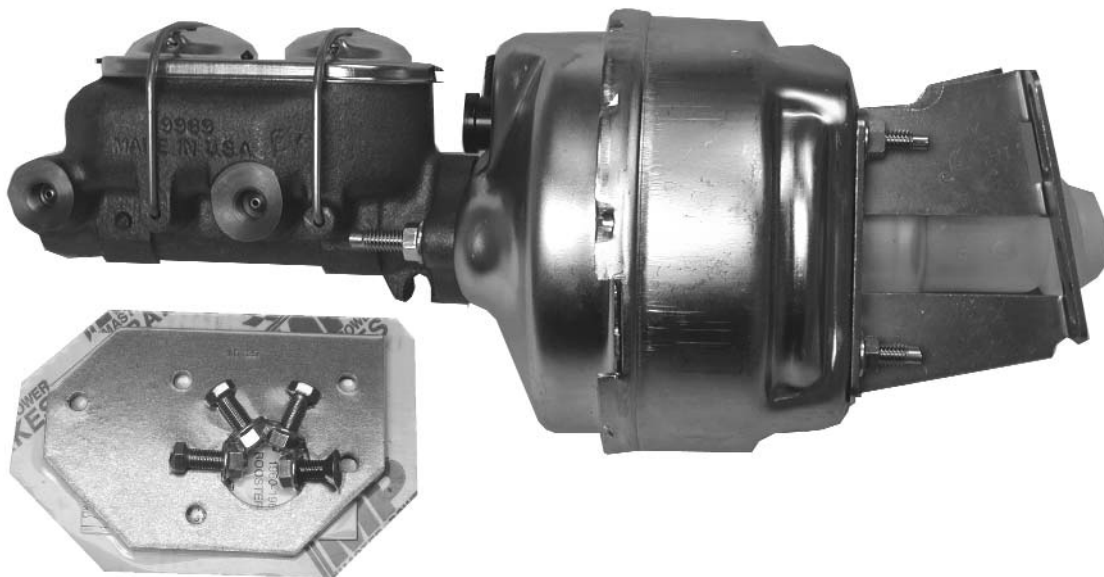




BM1756
1960-1962 CHEVY PICK UP

IT'S MORE THAN BRAKES...IT'S CONFIDENCE!

INSTALLATION INSTRUCTIONS



MASTER POWER BRAKES

110 CROSSLAKE PARK RD MOORESVILLE N.C. 28117

www.mpbrakes.com 704-664-8866



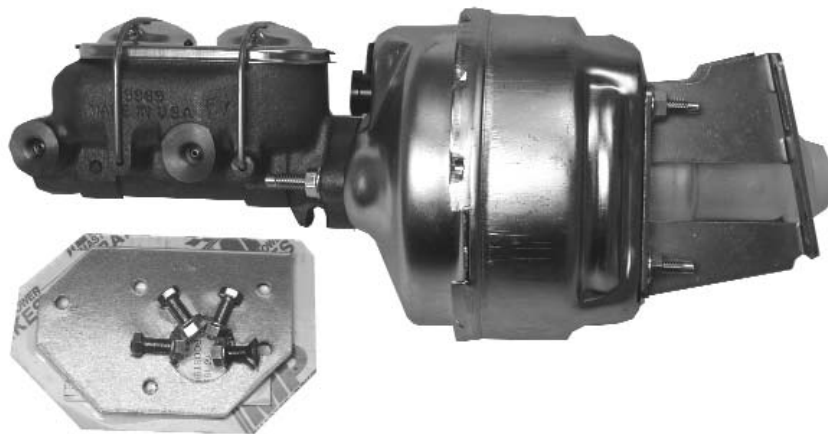
REVISED 101801

INSTALLATION INSTRUCTIONS

INCLUDED COMPONENTS

Your booster/master kit will contain the following components:

1. Booster brackets
2. Power booster
3. Master cylinder
4. Push rod and clevis for power booster
5. Three 3/8 USS bolts 3/8" x 1 3/4" socket head allen bolts
6. Four 3/8 USS flange nuts
7. One 3/8 USS allen flat head bolt
8. Four spacers



INSTALLATION

1. Remove the original master cylinder and push rod.
2. Remove the bolt on the firewall marked "C".
3. Mount the plate to the firewall using the holes marked "A". These holes will line up with the original holes in the firewall. Note: If power booster is to be installed use 3/8" flat head allen bolt in location "B" before adaptor is installed. Fig 2

MANUAL BRAKE INSTALLATION

1. With a 3/8" drill bit, drill holes "B" in diagram for manual master mounting. Install 3/8" flat head allen bolt in location "B" on right side of bracket as in fig 2.
2. Install brake push rod assembly HW4721 to pedal with 1/4" free play.
3. Bleed master cylinder with supplied kit.
4. Connect brake lines as per the system being used.

BM1756

Booster & Master Parts List



Parts included in the box:

1. (1) Booster and master unit with bracket.
2. (1) Vacuum hose kit.
3. (1) Set of instructions.
4. (1) Push rod with clevis.
5. (1) AD425K adaptor.

Master Power Brakes
888-533-1199