



## WARNING

Proper operation of your brakes is essential for your safety and the safety of others. Any brake service should be performed ONLY by persons experienced in the installation and proper operation of brake systems. It is the responsibility of the person installing any brake component or kit to determine the suitability of the component or kit for the particular application. After installation and before operating your vehicle, be sure to test the function of the brakes under controlled conditions.

**DO NOT DRIVE WITH UNTESTED BRAKES!**

**FOR TECHNICAL ASSISTANCE CALL:**

**888-533-1199**

**MONDAY - FRIDAY**

**8:00 AM TO 5:00 PM EST**

## IMPORTANT

Take time to read all the literature that came with this kit. Check the provided list of parts against what you received to ensure all parts are present. While this kit was designed to make the process of changing brake parts as simple as possible. **NOTE: WITH SOME KITS IT MAY BE NECESSARY TO MAKE MINOR CHANGES TO YOUR CAR!**

**READ ALL WARRANTY DISCLAIMERS AND RETURN POLICIES INCLUDED IN THIS KIT PRIOR TO INSTALLATION!**

**MASTER POWER BRAKES**

**110 CROSSLAKE PARK RD. MOORESVILLE, N.C. 28117**

**[www.mpbrakes.com](http://www.mpbrakes.com)**

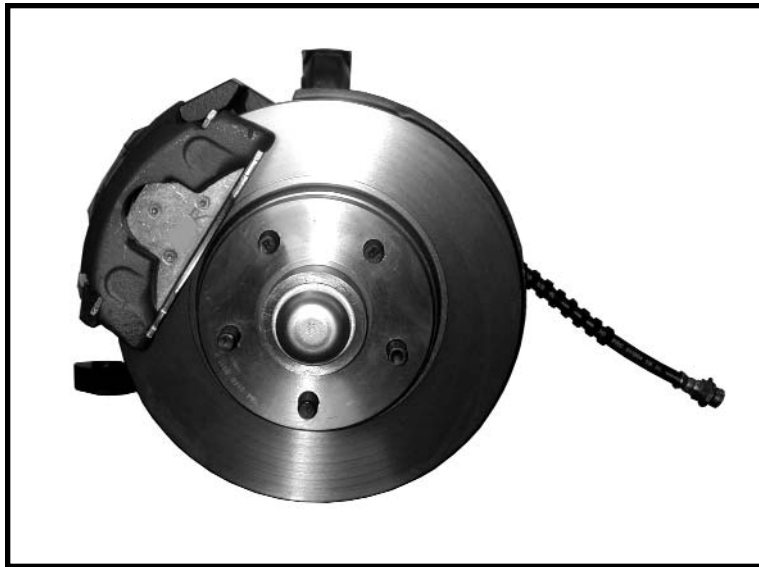


# DB1531B/M

## 1955-1957 T-BIRD

### DISC BRAKE CONVERSION KIT

## INSTALLATION INSTRUCTIONS



### **NOTES:**

Your T-Bird disc kit comes with the pre-assembled spindles with all components mounted and ready to operate. After installing the disc system it is advisable to get an alignment. You will have to run hard line out of the proportioning valve to the front and rear parts of the brake system.

### **INSTALLATION:**

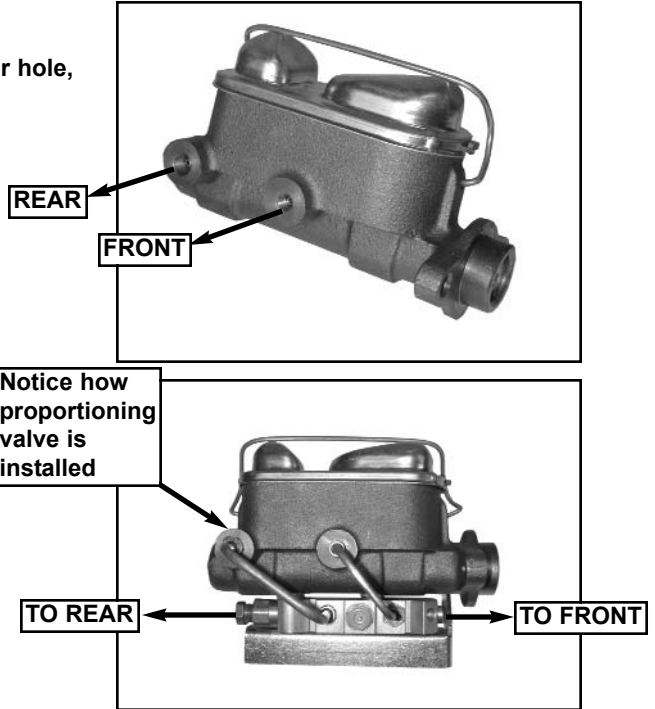
1. Jack up the car and chock the wheels. Be sure that the parking brake is on.
2. Remove the wheel.
3. Disconnect the front brake hose at the chassis.
4. Remove the complete drum brake assembly as a unit.
5. Replace the drum brake spindles with the new disc brake assembly. When installing the disc spindles, use the spacers provided as follows. After the lower ball joint is assembled into the spindle, place the spacer onto the ball joint before installing the ball joint nut.
6. The upper ball joint goes on as usual without any spacers or modifications.

**INSTALLATION (CONT.)**

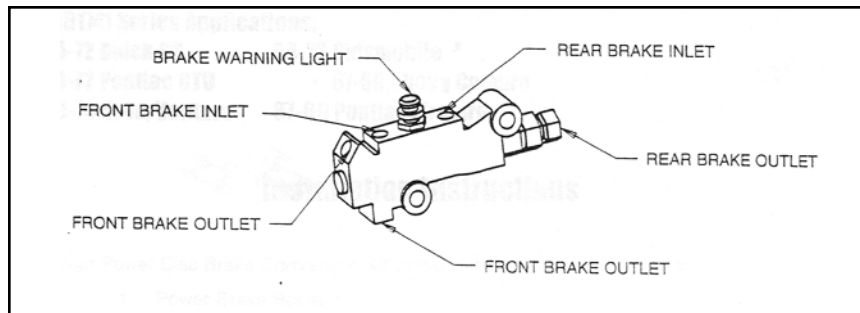
7. After installing the disc assembly, connect the caliper hoses to the system at the frame, in the same location that the drum hoses came off.
8. After the disc assemblies are installed and the hoses connected, you may install the master cylinder.

**MANUAL MASTER INSTALLATION:**

1. Disconnect the master cylinder push rod from the brake pedal.
2. Remove the old master cylinder.
3. Using the two holes which line up with the larger hole, install the new master.
4. Attach the master cylinder push rod to the pedal with the supplied clevis attachment.
5. Place the proportioning valve bracket onto one of the nuts that holds the master and tighten.
6. Mount the valve to the bracket.
7. Run the two supplied pre-bent lines from the master to the valve.
8. Run hard line from the valve to the front and rear part of the braking system as per the valve diagram.

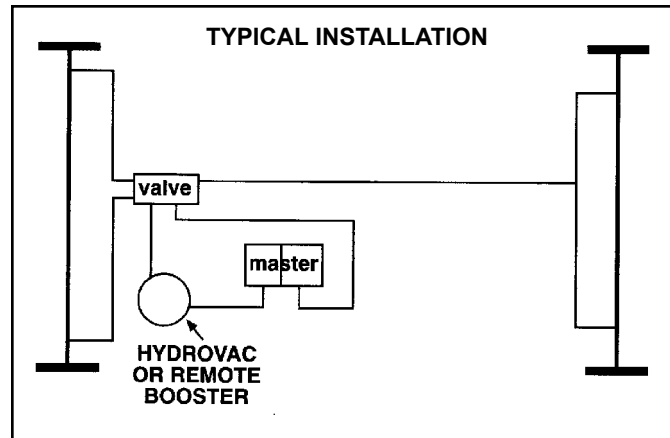


**NOTE:** When running lines to the front, you can plug one of the outlets on the valve (to front) and splice the one brake line to front calipers. You do not need to run two separate lines to the proportioning valve.

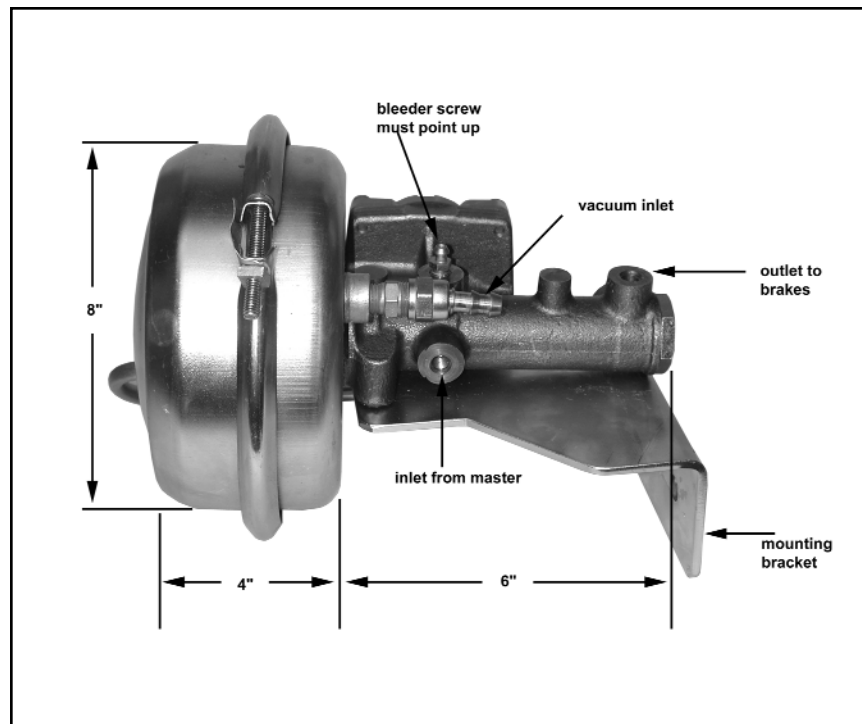


**IF YOU ARE USING THE ORIGINAL HYDROVAC OR A REMOTE POWER UNIT:**

1. Follow the master cylinder installation as per page 2.
2. Plumb the original hydrovac or a remote power booster as shown in the diagram.
3. Be sure to supply the remote power booster with sufficient vacuum and only use the proper vacuum supply hose.

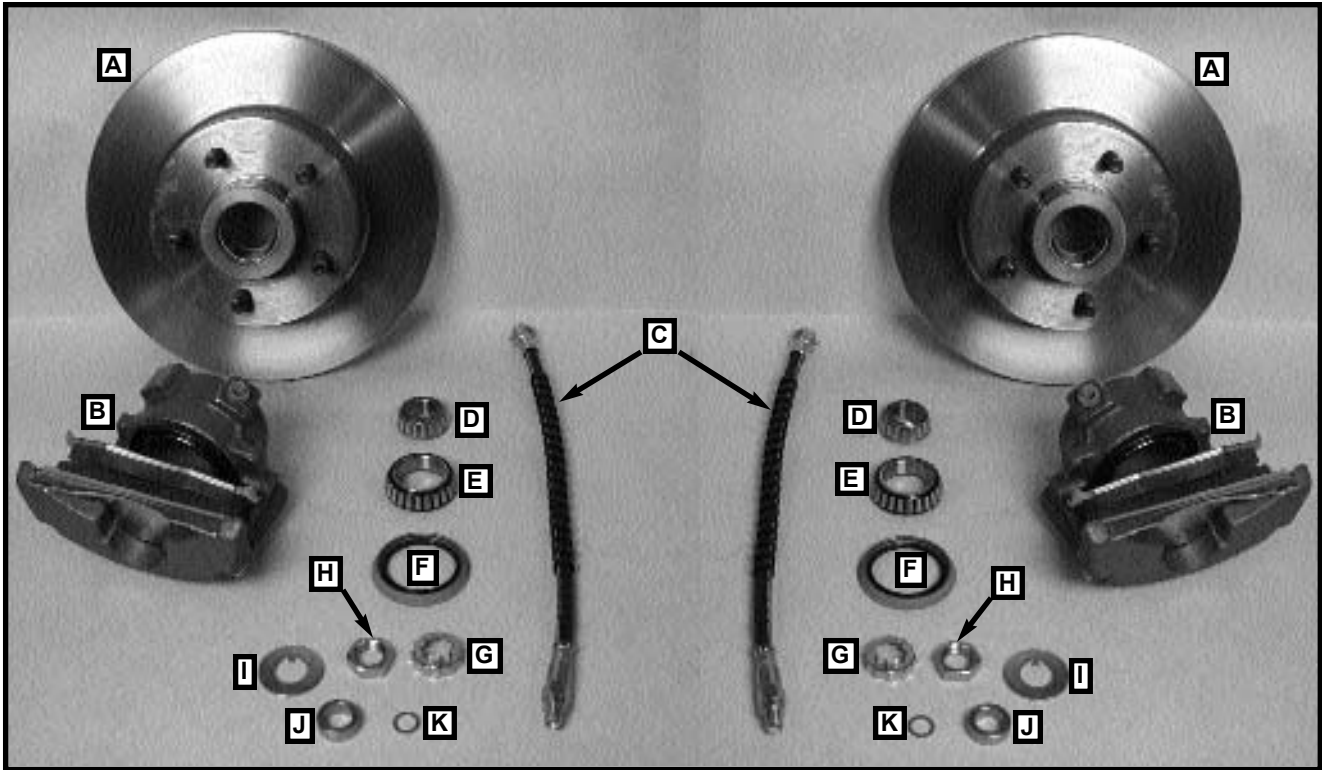


**BS1010K REMOTE POWER BOOSTER**



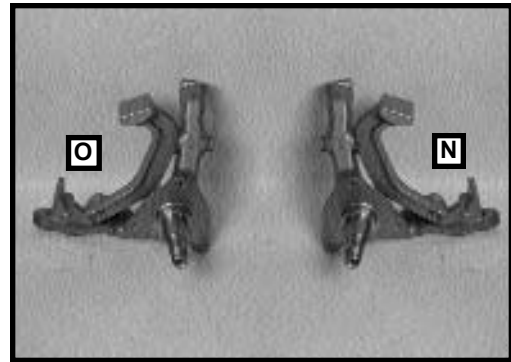
**MASTER POWER BRAKES  
TO ORDER THE REMOTE POWER BOOSTER CALL  
888-351-8781  
FOR TECH INFO CALL  
888-533-1199**

**DB1531M\***  
**DISC KIT 55-57 T-BIRD, MANUAL ONLY**  
**PARTS LIST**



**PARTS LIST**

- A) (2) RT141086 ROTOR, 75-80 GRANADA
- B) (2) CA406970 CALIPER SET, GRANADA, FORD SLIDER TYPE
- C) (2) HS88670 HOSE, 74-76 MUSTANG II USED ON KIT DB1531M
- D) (2) HWA12 BEARING, OUTER
- E) (2) HWA13 BEARING, INNER
- F) (2) HW6815 SEAL, ROTOR
- G) (2) HW615075 RETAINER, SPINDLE NUT
- H) (2) HW615072 NUT, SPINDLE
- I) (2) HW618013 WASHER, SPINDLE NUT
- J) (2) BU1531 SPACER, T-BIRD KIT, ALSO 1.045 X .693 X .375TH
- K) (2) HW4390 COPPER SEALING WASHER
- L) (1) PD-D91 PADS, FRONT, T-BIRD ←
- M) (2) RDP4306 CLIP, PAD, FORD ←
- (NOT SHOWN)
- N) (1) SP1531L SPINDLE T-BIRD 55-57, 55-56 FORD LEFT SIDE 75-80 GRANADA SPINDLE
- O) (1) SP1531R SPINDLE T-BIRD 55-57, 55-56 FORD RIGHT SIDE, 75-80 GRANADA SPINDLE



**DB1531M\***  
**DISC BRAKE KIT, 55-57 T-BIRD, MANUAL ONLY**  
**PARTS LIST (CONT.)**



**PARTS LIST (CONT.)**

- P) (1) MC11378M MASTER CYL, MANUAL, FORD 1" BORE, 3/8" STROKE  
DUAL RESERVOIR**
- Q) (1) VL3360K VALVE KIT, W/ FITTINGS**  
(1) 25C175HCS5Z 1/4 X .175 BOLT  
(1) 25CNNEZ 1/4 COURSE NYLOCK NUT  
(1) BR1261N BRACKET, VALVE, UNIVERSAL  
(2) HW105-3 NUT, 3/16 TUBE 3/8-24 THD  
(1) HW106-3 PLUG, 3/16"  
(2) HW106-4 PLUG, INVERTED STEEL 1/4" O.D.  
(1) HW115-37 NUT, 3/16 TUBE 7/16-24 THD RED  
(1) HW115-38 NUT, 3/16 TUBE 1/2-20 THD BLACK  
(1) HW115-39 NUT, 3/16 TUBE 9/16-18 THD OLIVE  
(1) HW1709 PLUG, SWITCH, COMBO VALVE  
(1) HW210-43 ADAPTOR, BRASS 7/16-3/8M  
(2) HW300-3 COUPLER 3/16  
(2) HW300-4 COUPLER 1/4  
(2) HW300-5 COUPLER 1/2  
(1) HW3359 PLUG, COMBO VALVE, 4 WHEEL DISC  
(1) HW702-3 T-FITTING 3/16 X 3/16 X 3/16  
(1) VL3350 VALVE, COMBO, DISC / DRUM
- R) (1) AC2002 BLEEDER KIT, USED IN DUAL MASTER CYL. APPL.**