



WARNING

Proper operation of your brakes is essential for your safety and the safety of others. Any brake service should be performed ONLY by persons experienced in the installation and proper operation of brake systems. It is the responsibility of the person installing any brake component or kit to determine the suitability of the component or kit for the particular application. After installation and before operating your vehicle, be sure to test the function of the brakes under controlled conditions.

DO NOT DRIVE WITH UNTESTED BRAKES!

FOR TECHNICAL ASSISTANCE CALL:

888-533-1199

MONDAY - FRIDAY

8:00 AM TO 5:00 PM EST

IMPORTANT

Take time to read all the literature that came with this kit. Check the provided list of parts against what you received to ensure all parts are present. While this kit was designed to make the process of changing brake parts as simple as possible. **NOTE: WITH SOME KITS IT MAY BE NECESSARY TO MAKE MINOR CHANGES TO YOUR CAR!**

READ ALL WARRANTY DISCLAIMERS AND RETURN POLICIES INCLUDED IN THIS KIT PRIOR TO INSTALLATION!

MASTER POWER BRAKES

110 CROSSLAKE PARK RD. MOORESVILLE, N.C. 28117

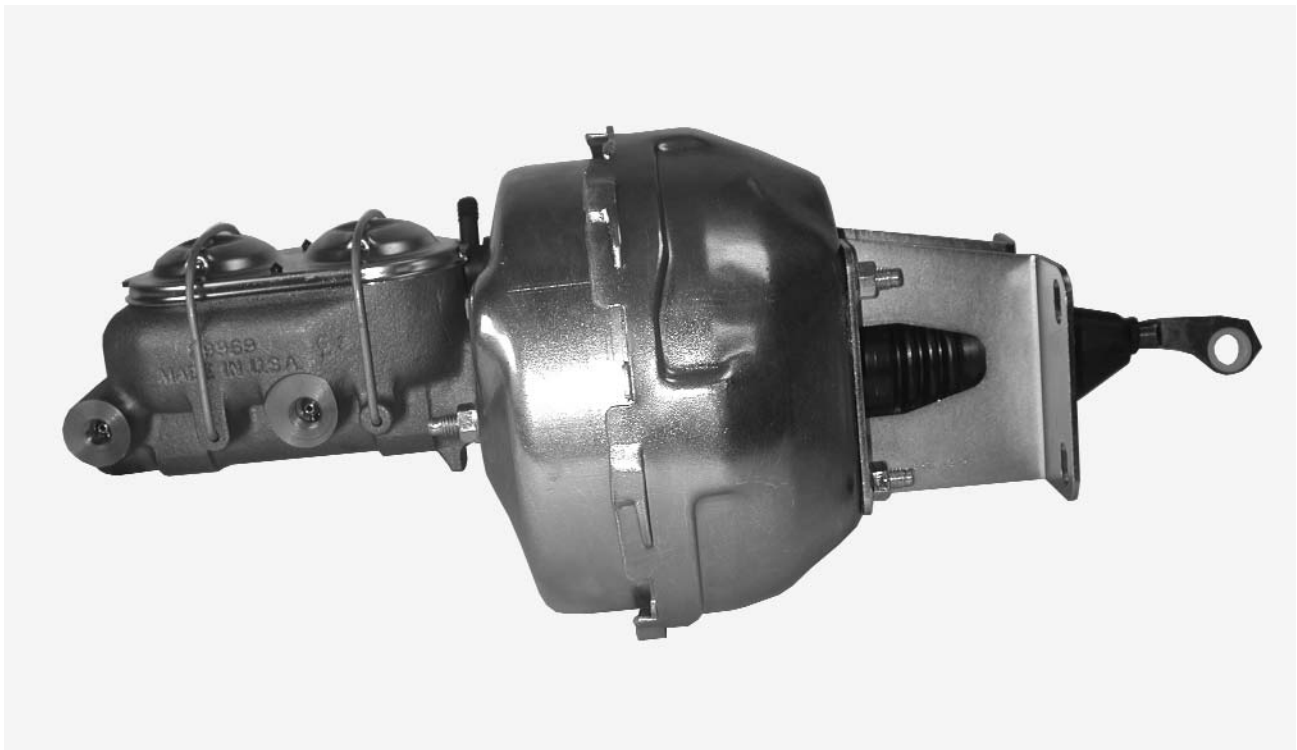
www.mpbrakes.com



IT'S MORE THAN BRAKES...IT'S CONFIDENCE!

BM1403 JEEP POWER BOOSTER

INSTALLATION INSTRUCTIONS



MASTER POWER BRAKES

110 CROSSLAKE PARK RD MOORESVILLE N.C. 28117

www.mpbrakes.com 704-664-8866



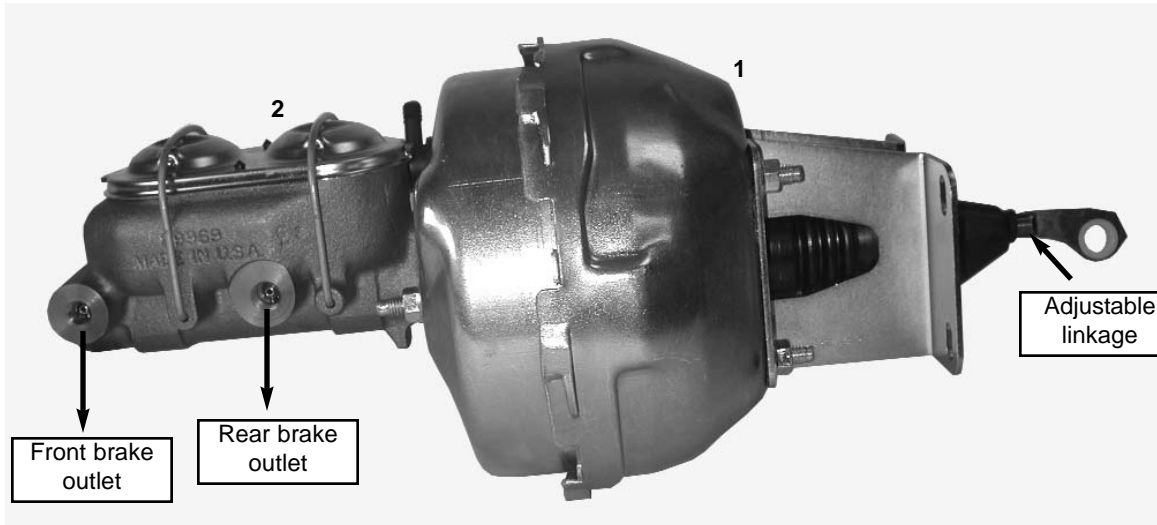
REVISED 041802

INSTALLATION INSTRUCTIONS

INCLUDED COMPONENTS

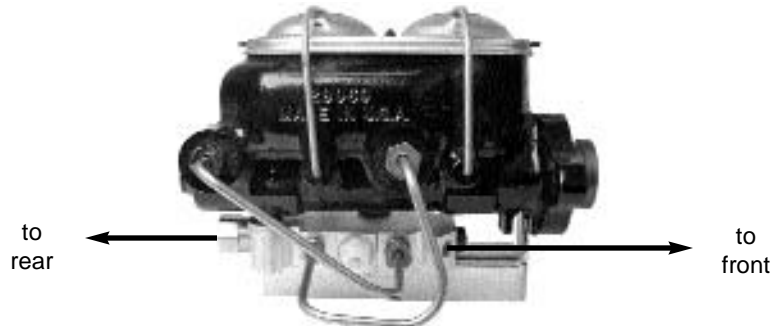
Your power brake conversion kit will contain the following components:

1. Power booster with firewall bracket and pedal linkage.
2. Master cylinder
3. Vacuum hose with intake manifold fitting (not shown)
4. Bench bleeding kit.(not shown)



INSTALLATION

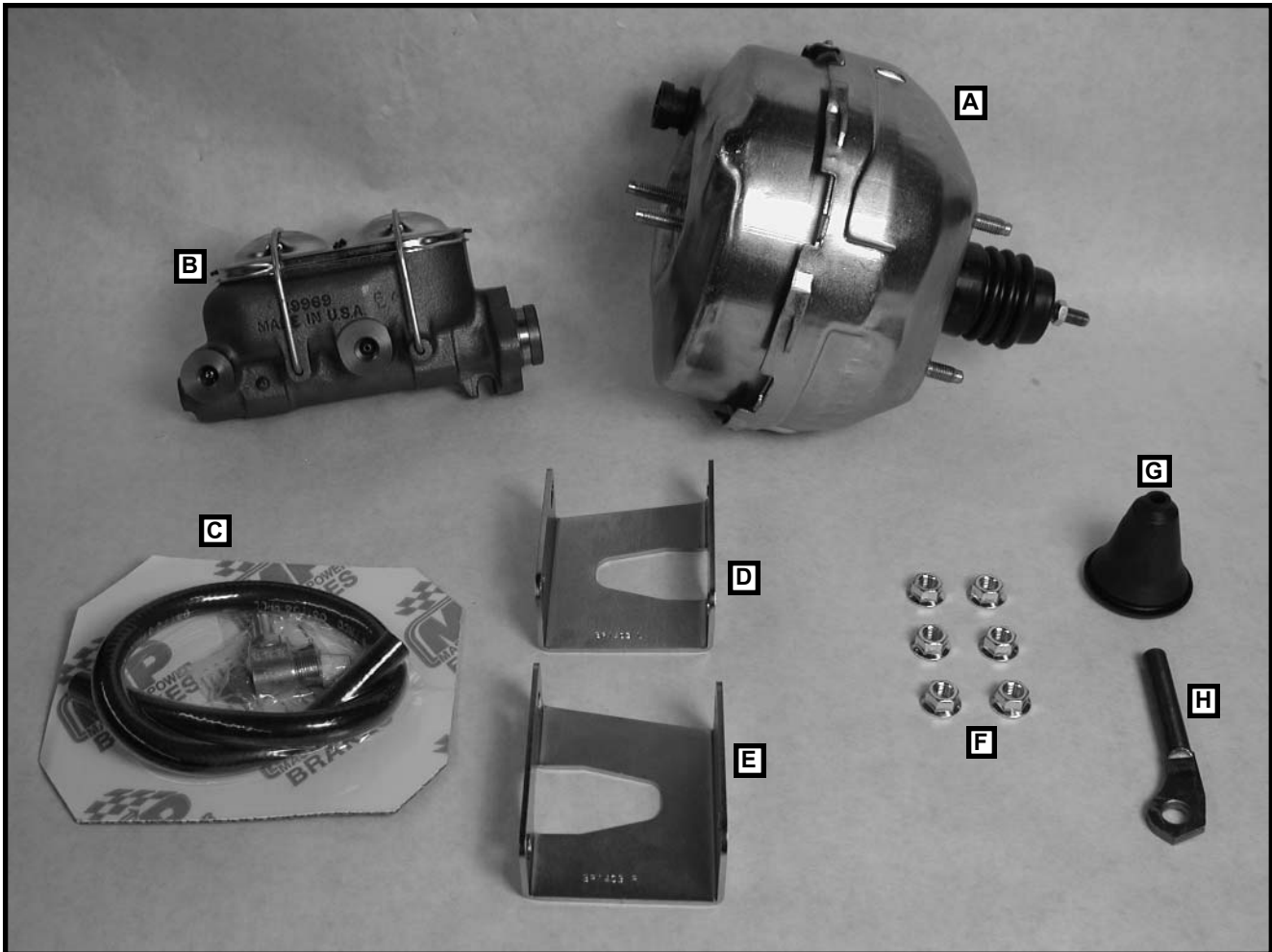
1. Disconnect the master cylinder push rod from the pedal inside the vehicle.
2. Remove the brake lines from the old master cylinder.
3. Remove the old master cylinder.
4. Mount the new booster to the firewall using the two master cylinder bolts and the other two bolts on the firewall from the hanging pedal that match the booster brackets.
5. Connect the booster push rod to the pedal. Adjust the pedal height so there is 1/4 " free play at the top of the pedal. Do this by adjusting the booster push rod that goes from the booster to the pedal.
6. Check the stop light switch adjustment.
7. Bench bleed the master cylinder with the supplied bleeder kit.
8. Mount the master to the booster and secure.
9. Connect the master cylinder lines to the system as per the photo above. The line from the master cylinder closest to the booster feeds the rear brakes.
10. If you are using our combination valve v13350 or v13359 mount the combination valve to supplied bracket and attach the bracket and lines as shown in figure below.



11. Supply the booster with vacuum from the intake manifold or the carburetor. You must have at least 18" vacuum.
12. Bleed the entire system and test function before driving.

CAUTION: CHECK THE HOOD CLEARANCE BETWEEN THE INSIDE REAR HOOD SUPPORT AND THE BOOSTER. CHECK HOOD HINGE BOLTS THAT PROTRUDE THROUGH THE HOOD. BOLTS FOR THE HINGE MAY NEED TO BE CUT FOR CLEARANCE. ADJUST FENDER SUPPORT ROD FOR BOOSTER CLEARANCE.

**BM1403
PARTS LIST
BOOSTER, 87-95 JEEP WRANGLER**



PARTS LIST

- A) (1) BSKZ9 BOOSTER, 9" DUAL
- B) (1) MC390545P MASTER, 1-1/8 BORE 4WD CORVETTE STYLE MASTER
- C) (1) HS4001K HOSE KIT, VACUUM
 - (1) AC2002 BLEEDER KIT, USED IN DUAL MASTER CYLINDER APPLICATION
 - (1) HS4001-2 VACUUM HOSE, 2FT PER KIT
 - (1) HW40066 FITTING, MALE ELBOW, 3/8 O.D. TUBE, 3/8 PIPE VAC. HOSE
 - (1) HW413-66 FITTING, MALE INVERTED 3/8 HOSE I.D., 3/8 O.D. MANIFOLD VAC. HOSE
- D) (1) BR1403L BRACKET, BS, LEFT LONG JEEP
- E) (1) BR1403R BRACKET, BS, RIGHT LONG JEEP
- F) (6) 100CNWFZ NUT, M10, SERRATED FLANGE
- G) (1) HW2121 BOOSTER BOOT, 59-64 CHEVY
- H) (1) PR1401 PUSH ROD, SPECIAL JEEP LENGTH 4" FROM CENTER

MASTER POWER BRAKES 888-533-1199